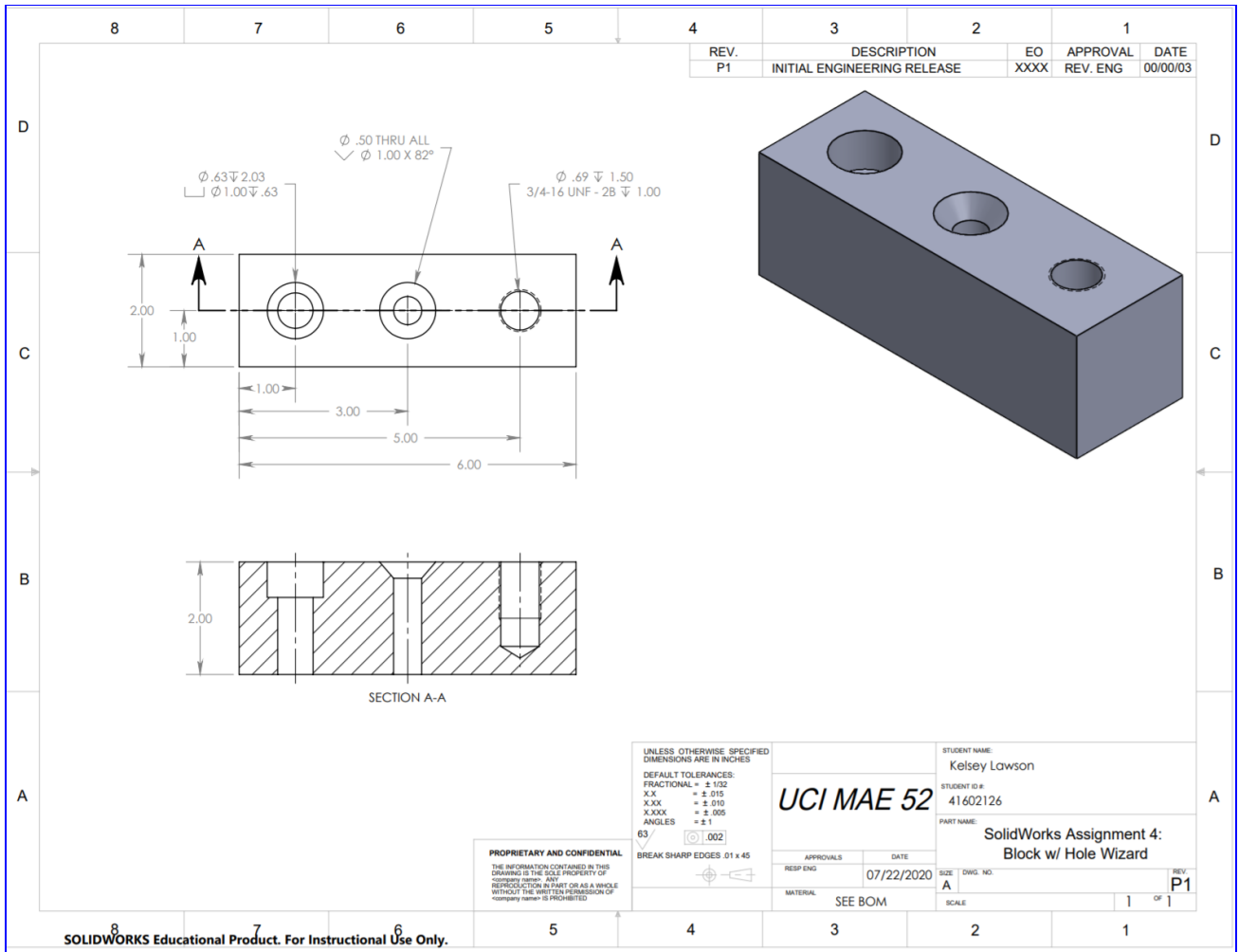


# **MAE 52: SW Assignment 4**

*July 22, 2020*

Kelsey Lawson  
41602126

Part 1:



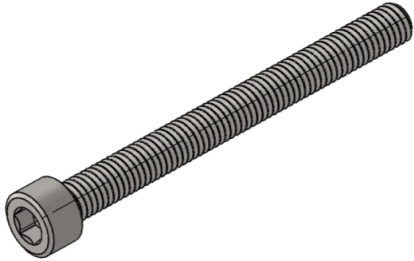
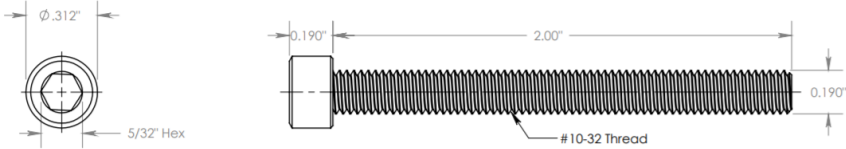
SOLIDWORKS Educational Product. For Instructional Use Only.

Part 2:

REV.	DESCRIPTION	EO	APPROVAL	DATE
P1	INITIAL ENGINEERING RELEASE	XXXX	REV. ENG	00/00/03

ITEM NO.	PART NUMBER	DESCRIPTION	MATERIAL	QTY.
1	Screw	Includes both body and head of the screw.	Plain Carbon Steel	1

<p>UNLESS OTHERWISE SPECIFIED DIMENSIONS ARE IN INCHES</p> <p>DEFAULT TOLERANCES:</p> <p>FRACTIONAL = ± .002</p> <p>X.X = ± .015</p> <p>X.XX = ± .010</p> <p>X.XXX = ± .005</p> <p>ANGLES = ± 1</p> <p>63</p> <p>BREAK SHARP EDGES .01 x 45</p>	<p>STUDENT NAME: Kelsey Lawson</p> <p>STUDENT ID #: 41602126</p> <p>PART NAME: SolidWorks Assignment 4: Bolt</p>	<p>APPROVALS</p> <p>RESP ENG: [Signature] DATE: 07/22/2020</p> <p>MATERIAL: SEE BOM</p> <p>SIZE: A DWG NO: [Blank] REV: P1</p> <p>SCALE: 1 OF 1</p>
---	--	---

SOLIDWORKS Educational Product. For Instructional Use Only.

Part 3:

